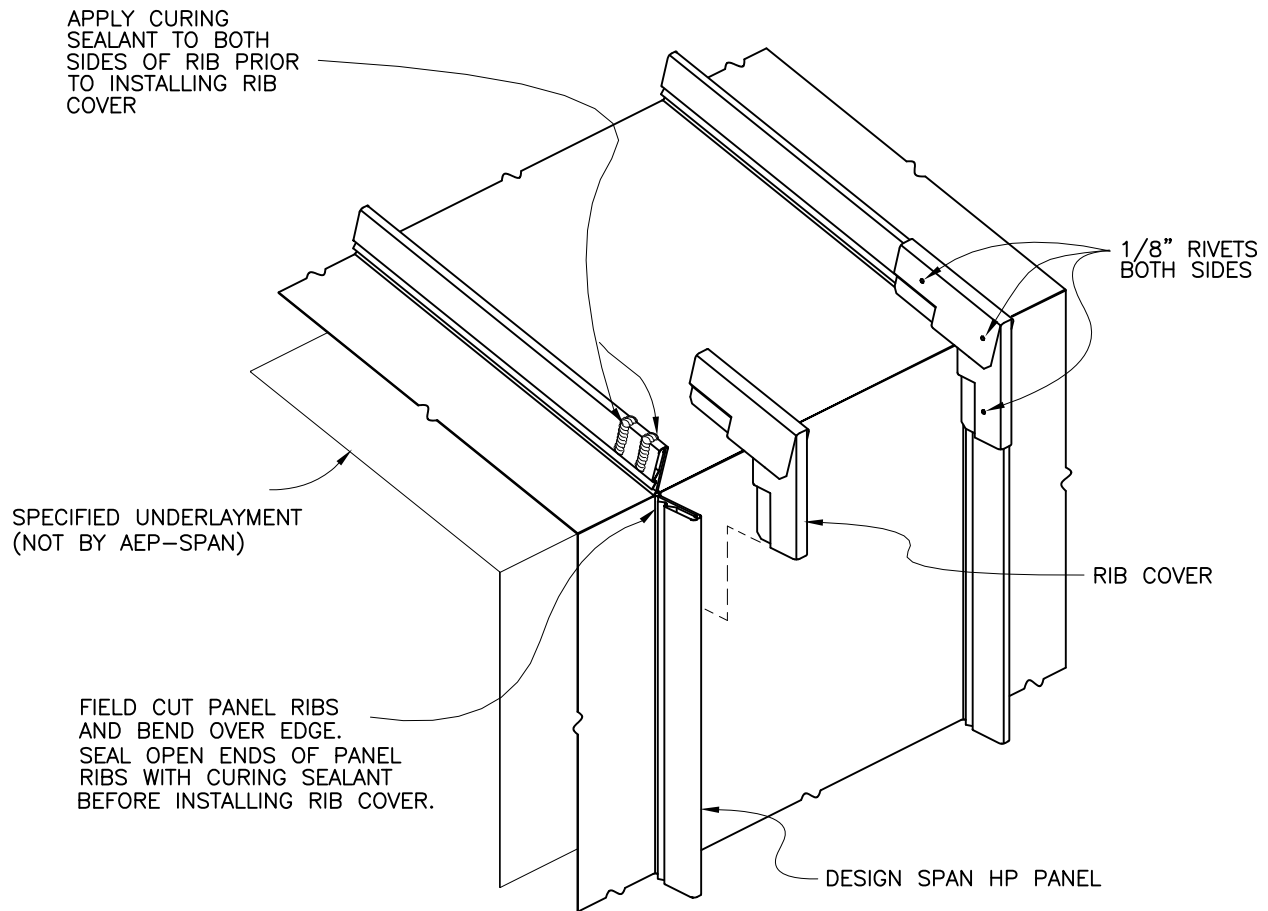


**DESIGN CAUTION:**  
 ROOF SLOPE TRANSITIONS SUCH AS FASCIAS MAY ESTABLISH AN UNWANTED POINT OF PANEL FIXITY. CONTACT YOUR AEP SPAN REPRESENTATIVE FOR ASSISTANCE.



**NOTE:**  
 THE USE OF THIS DETAIL IS NOT RECOMMENDED IN SNOW CLIMATES.



**DESIGN SPAN HP**

**FASCIA TRANSITION**



**DS-08**